

Enter ShadeLoc®. Stage Center.

ShadeLoc is a specialized window-shade system that incorporates side channels to capture the zippered edges of a shadecloth.

The design allows the shade band to resist being pushed or pulled out of place by air pressure and other forces. It also eliminates light leaks between the shadecloth and the channels for superior room-darkening.

Key features:

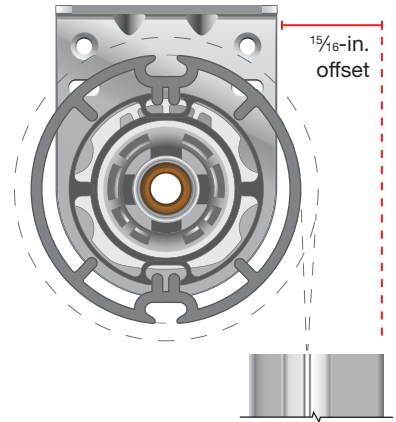
- Locks shade bands into side and center channels.
- Eliminates light between the shade band and the channel.
- Supports multi-banding with center-support channels.
- Helps tall, narrow shades to track well.
- Reduces future maintenance costs.
- Installs easily with separate mounting bases and SnapLoc® channels.

The SnapLoc channel snaps onto the mounting base. It conceals fasteners and provides a clean, finished look. An optional cover for center channels extends this monolithic appearance.

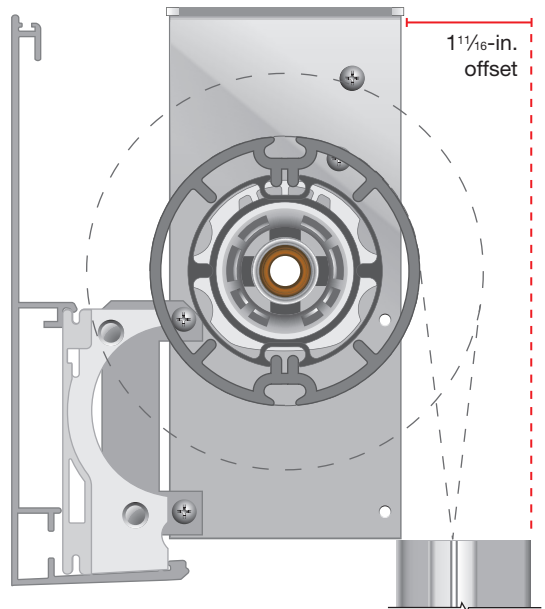
ShadeLoc is the only zipper-shade system soon to be available in a DoubleShade® configuration. For more information on ShadeLoc, see the [ShadeLoc cutsheet](#).

(ShadeLoc was formerly known as ZipGlide®.)

ShadeLoc with Electro®/1 bracket



ShadeLoc with Electro/2 Extended bracket



The forthcoming Electro/SL bracket will eliminate this offset requirement and support a reduction in shade-tube size.

[Click to view past issues of MechoNews.](#)